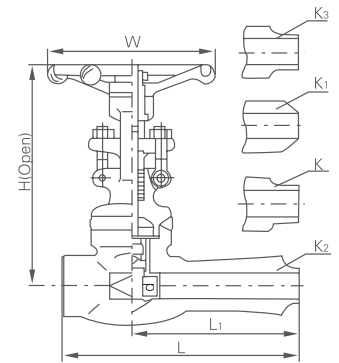


Forged Steel Gate Valves

Extended body gate valves

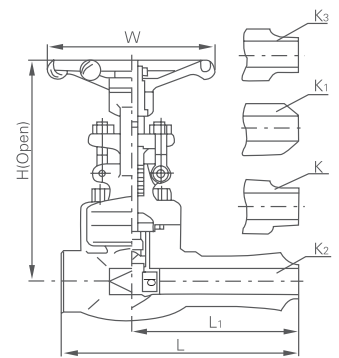
CL800 Welded bonnet, reducing port outside screw and yoke(OS & Y)
Threaded, butt-welded or socket welded ends; design to API 602, API 606

Specification(NPS)		1/2	3/4	1	1 1/4	1 1/2	2
Face to face	L	192	215	239	239	258	262
		153	153	182	182	216	216
Extended length	L1	152	170	184	184	193	197
		108	108	127	127	152	152
Handwheel diameter	W	100	100	125	160	160	180
Height	H	161	163	196	223	251	290
Flow port dimension	d	10.5	13.5	18	24	29	36.5
Weight(kg)	K2	2.5	2.7	4.5	6.3	8.5	11.6
	K, K1, K3	2.2	2.4	3.4	6	8.0	11.4



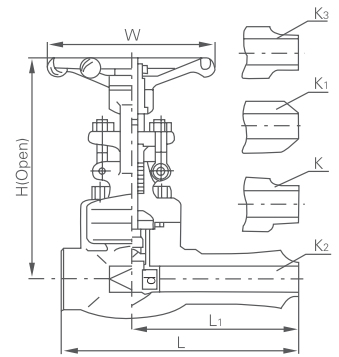
CL800 Bolted bonnet, reducing port outside screw and yoke(OS & Y)
Threaded, butt-welded or socket welded ends; design to API 602, API 606

Specification(NPS)		1/2	3/4	1	1 1/4	1 1/2	2
Face to face	L	192	215	239	239	258	262
		153	153	182	182	216	216
Extended length	L1	152	170	184	184	193	197
		108	108	127	127	152	152
Handwheel diameter	W	100	100	125	160	160	180
Height	H	161	163	196	223	251	290
Flow port dimension	d	10.5	13.5	18	24	29	36.5
Weight(kg)	K2	2.8	2.0	5.5	7	8.5	12.1
	K, K1, K3	2.4	2.5	5	6.1	7.8	11.5



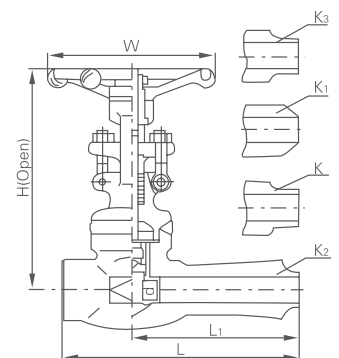
CL1500 Welded bonnet, reducing port outside screw and yoke(OS & Y)
Threaded, butt-welded or socket welded ends; design to API 602, API 606

Specification(NPS)		1/2	3/4	1	1 1/4	1 1/2	2
Face to face	L	239	239	239	258	262	264
		182	182	182	216	216	264
Extended length	L1	184	184	184	193	197	189
		127	127	127	152	152	189
Handwheel diameter	W	125	125	160	160	180	200
Height	H	207	207	240	258	330	370
Flow port dimension	d	10.5	13.5	18	24	29	36.5
Weight(kg)	K2	5.6	5.6	7.1	8.7	12.5	16.3
	K, K1, K3	5.1	5.1	6.2	8	11.7	15.7



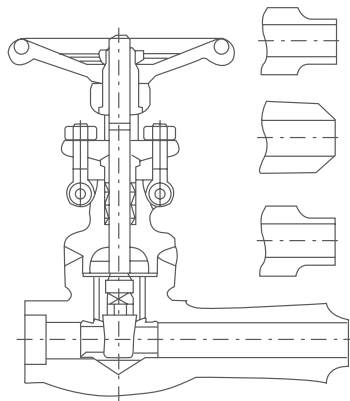
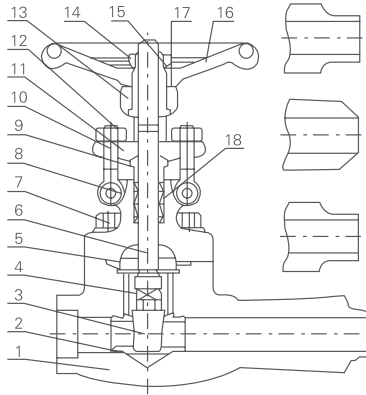
CL1500 Bolted bonnet; reducing port outside screw and yoke(OS & Y)
Threaded, butt-welded or socket welded ends; design to API 602, API 606

Specification(NPS)		1/2	3/4	1	1 1/4	1 1/2	2
Face to face	L	239	239	239	258	262	264
		182	182	182	216	216	264
Extended length	L1	184	184	184	193	197	189
		127	127	127	152	152	189
Handwheel diameter	W	125	125	160	160	180	200
Height	H	207	207	240	258	330	370
Flow port dimension	d	10.5	13.5	18	24	29	36.5
Weight(kg)	K2	6	6	7.7	9.2	13.2	16.7
	K, K1, K3	5.7	5.7	6.5	8.2	12.3	15.9



Forged Steel Gate Valves

Extended body gate valves



Application standards

- 1、 Design and manufacture conform to: API 602、 BS5352、 ANSI B16.34
- 2、 Connection ends conform to:
 - 1)Socket welded ends conform to ANSI B16.11;JB/T1751
 - 2)Screw ends conform to ANSI B1.20.1;JB/T7306
 - 3)Butt-welded ends conform to ANSI B16.25;JB/T12224
 - 4)Flanged ends conform to ANSI B16.5;JB79
- 3、 Test and inspection conform to: API 598; GB/T13927; JB/T9092
- 4、 Structure features: Bolted bonnet, outside screw and yoke ;Welded bonnet, outside screw and yoke
- 5、 Materials conform to ANSI/ASTM
- 6、 Main materials: A105; LF2; F5; F11; F22; 304(L); 316(L); F347; F321;F51;Monel;20 Alloy.

Carbon steel temperature–pressure rate

CL150–285P.S.I@100° F	CL300–740P.S.I@100° F
CL600–1480P.S.I@100° F	CL800–1975P.S.I@100° F
	CL1500–3705P.S.I@100° F

Main part materials list

NO	Part name	A105/F6a	A105/F6aHFS	LF2/304	F11/F6aHF	F304(L)/304(L)	F316(L)/316(L)	F51/F51
1	Body	A105	A105	LF2	F11	F304(L)	F316(L)	F51
2	Seat	410	410HF	304	410HF	304(L)	316(L)	F51
3	Wedge	F6a	F6a	F304	F6aHF	F304(L)	F316(L)	F51
4	Stem	410	410	304	410	304(L)	316(L)	F51
5	Gasket	304+ Flexible graphite	304+ Flexible graphite	304+ Flexible graphite	304+ Flexible graphite	304+ Flexible graphite	304+ Flexible graphite	304+ Flexible graphite
6	Bonnet	A105	A105	LF2	F11	F304(L)	F316(L)	F51
7	Bolt	B7	B7	L7	B16	B8(M)	B8(M)	B8M
8	Pin	410	410	410	410	304	304	304
9	Gland	410	410	304	410	304	316	F51
10	Gland eyebolt	B7	B7	L7	B16	B8(M)	B8(M)	B8M
11	Gland flange	A105	A105	LF2	F11	F304	F304	F304
12	Hex nut	2H	2H	2H	2H	8(M)	8(M)	8M
13	Stem nut	410	410	410	410	410	410	410
14	Locking nut	35	35	35	35	35	35	35
15	Nameplate	AL	AL	AL	AL	AL	AL	AL
16	Handwheel	A197	A197	A197	A197	A197	A197	A197
17	Lubricating gasket	410	410	410	410	410	410	410
18	Packing	Graphite	Graphite	Graphite	Graphite	Graphite	Graphite	Graphite