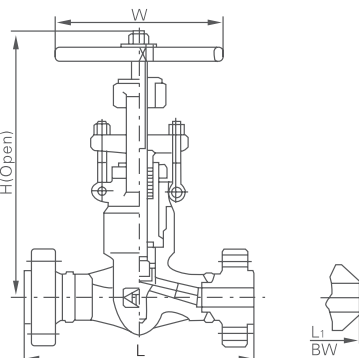
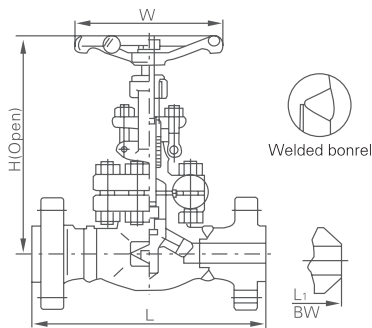
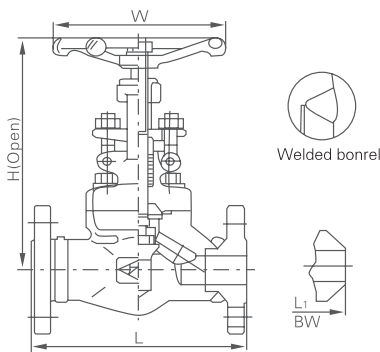
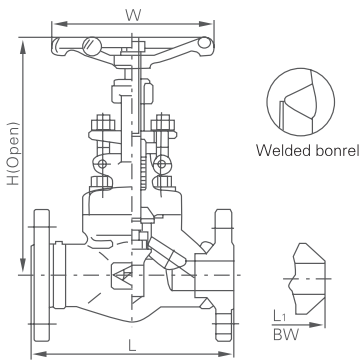


# Forged Steel globe Valves

## Flange and butt-welded globe valves



### CL150-300-600 Welded bonnet, reducing port outside screw and yoke(OS & Y) Flange or butt-welding design to BS5352

Specification(NPS)		R. P	1/4	3/8	1/2	3/4	1	1 1/4	1 1/2	2
Face to face	CL150	L(RF)	-	-	108	117	127	140	165	203
	CL300		-	-	152	178	203	216	229	267
	CL600	L1(BW)	-	-	165	190	216	229	241	292
Handwheel diameter		W	-	-	100	100	125	160	160	180
Height	CL150 CL300	H	-	-	180	184	217	224	260	300
	CL600	d	-	-	164	164	203	224	260	300
Height(angle dinmension)			-	-	9	13	17.5	23	30	35
Weight (kg)	CL150	RF	-	-	3.45	4.00	6.19	9.6	10.5	17
		BW	-	-	2.3	3.6	7.8	8.2	12.0	15.0
	CL300	RF	-	-	3.8	5.1	7.2	12	13.5	19.7
		BW	-	-	2.8	4.0	8.5	9.2	12.6	16.8
	CL600	RF	-	-	5.6	7.8	12.5	17	23.5	38.8
		BW	-	-	3.4	4.7	9.2	10.5	13.3	18.9

If you want to order one piece body, please contract with sale department

### CL900-CL1500 Welded bonnet, full port outside screw and yoke(OS & Y) Flange or butt-welding ends; design to BS 5352

Specification(NPS)		1/4	3/8	1/2	3/4	1	1 1/4	1 1/2	2
Face to face	L(RF), L1(BW)	-	-	216	229	254	279	305	368
	L(RTJ)	-	-	216	229	254	279	305	371
Handwheel diameter	W	-	-	125	125	160	160	180	200
Height	H	-	-	207	207	230	160	300	355
Height(angle dinmension)	d	-	-	12	15	20	28	32	40
Weight(kg)		-	-	11	13.2	17.4	19	24.5	31

If you want to order one piece body, please contract with sale department

### CL2500 Welded bonnet, full port outside screw and yoke(OS & Y) Welding flange or butt-welded design conform to ASME B16.34

Specification(NPS)		1/4	3/8	1/2	3/4	1	1 1/4	1 1/2	2
Face to face	L(RF), L1(BW)	-	-	264	273	308	-	384	451
	L(RTJ)	-	-	264	273	308	-	387	454
Handwheel diameter	W	-	-	125	160	200	-	250	240
Height	H	-	-	207	240	258	-	355	300
Height(angle dinmension)	d	-	-	11	14	19	-	28	35
Weight(kg)		-	-	19.5	21.5	42	-	65	95

### CL2500 Pressure seal bonnet, full port outside screw and yoke(OS & Y) Welding flange or butt-welded design conform to ASME B16.34

Specification(NPS)		1/4	3/8	1/2	3/4	1	1 1/4	1 1/2	2
Face to face	L(RF), L1(BW)	-	-	264	273	308	349	384	451
	L(RTJ)	-	-	264	273	308	349	387	454
Handwheel diameter	W	-	-	200	200	280	280	280	300
Height	H	-	-	320	320	320	440	440	490
Height(angle dinmension)	d	-	-	11	14	19	25	28	35
Weight(kg)		-	-	21.5	24.7	30.4	48.1	58.1	130