

# Forged Steel bellow sealed Valves

## Bellow sealed gate valves

### Application specifications

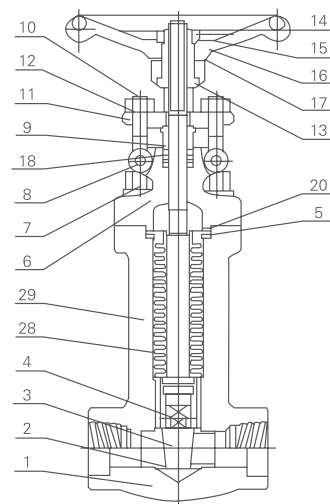
- 1、 Design and manufacture conform to API602 MSS-SP-117
- 2、 Connection ends conform to
  - 1)Socket welded ends conform to ANSI B16.11;JB/T1751
  - 2)Screw ends conform to ANSI B1.20.1;JB/T7306
  - 3)Butt-welded ends conform to ANSI B16.25;JB/T12224
  - 4)Flanged ends conform to ANSI B16.5;JB79
- 3、 Test and inspection conform to:API 598; GB/T13927; JB/T9092
- 4、 Structure features:Bolted bonnet,outside screw and yoke Welded bonnet,outside screw and yoke
- 5、 Materials conform to ANSI/ASTM
- 6、 Main materials:A105; 304(L); 316(L); F347; F321
- 7、 Bellow materials:304、 321、 316、 Inconel 625、 Hastelloy C276、 Monel.

### Carbon steel temperature-pressure rate

CL150-285P.S.I@100° F	CL300-740P.S.I@100° F	CL600-1480P.S.I@100° F
CL800-1975P.S.I@100° F	CL1500-3705P.S.I@100° F	

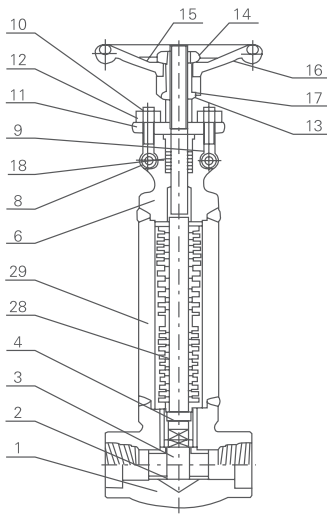
### Main part materials list

NO	Part name	A105/F6a	A105/F6aHFS	A105/F6aHF	F304(L)/304(L)	F316(L)/316(L)
1	Body	A105	A105	A105	F304(L)	F316(L)
2	Seat	410	A105HF	410HF	304(L)	316(L)
3	Wedge disc	F6a	F6a	F6aHF	F304(L)	F316(L)
4	Stem	410	410	410	304(L)	316(L)
5	Gasket	304+ Flexible graphite	304+ Flexible graphite	304+ Flexible graphite	304+ Flexible graphite	304+ Flexible graphite
6	Bonnet	A105	A105	A105	F304(L)	F316(L)
7	Bolt	B7	B7	B7	B8	B8(M)
8	Pin	410	410	410	304	304
9	Gland	410	410	410	304	316
10	Gland eyebolt	B7	B7	B7	B8(M)	B8(M)
11	Gland flange	A105	A105	A105	F304	F304
12	Hex nut	2H	2H	2H	8(M)	8(M)
13	Stem nut	410	410	410	410	410
14	Locking nut	35	35	35	35	35
15	Nameplate	AL	AL	AL	AL	AL
16	Handwheel	A197	A197	A197	A197	A197
17	Lubricating gasket	410	410	410	410	410
18	Packing	Graphite	Graphite	Graphite	Graphite	Graphite
20	Gasket	304+ Flexible graphite	304+ Flexible graphite	304+ Flexible graphite	304+ Flexible graphite	304+ Flexible graphite
28	Bellow	F321	F321	F321	F316L	F316L



# Forged Steel bellow sealed Valves

## Bellow sealed gate valves



### Application specifications

- 1、 Design and manufacture conform to API602 MSS-SP-117
- 2、 Connection ends conform to
  - 1)Socket welded ends conform to ANSI B16.11;JB/T1751
  - 2)Screw ends conform to ANSI B1.20.1;JB/T7306
  - 3)Butt-welded ends conform to ANSI B16.25;JB/T12224
  - 4)Flanged ends conform to ANSI B16.5;JB79
- 3、 Test and inspection conform to: API 598; GB/T13927; JB/T9092
- 4、 Structure features:Bolted bonnet,outside screw and yoke Welded bonnet,outside screw and yoke
- 5、 Materials conform to ANSI/ASTM
- 6、 Main materials:A105; 304(L); 316(L); F347; F321;
- 7、 Bellow materials:304、 321、 316、 Inconel 625、 Hastelloy C276、 Monel.

### Carbon steel temperature-pressure rate

CL150-285P.S.I@100° F	CL300-740P.S.I@100° F	CL600-1480P.S.I@100° F
CL800-1975P.S.I@100° F	CL1500-3705P.S.I@100° F	

### Main part materials list

NO	Part name	A105/F6a	A105/F6aHFS	A105/F6aHF	F304(L)/304(L)	F316(L)/316(L)
1	Body	A105	A105	A105	F304(L)	F316(L)
2	Seat ring	410	410HF	410HF	304(L)	316(L)
3	Wedge disc	F6a	F6a	F6aHF	F304(L)	F316(L)
4	Stem	410	410	410	304(L)	316(L)
6	Bonnet	A105	A105	A105	F304(L)	F316(L)
8	Pin	410	410	410	304	304
9	Gland	410	410	410	304	316
10	Gland eyebolt	B7	B7	B7	B8(M)	B8(M)
11	Gland flange	A105	A105	A105	F304	F304
12	Hex nut	2H	2H	2H	8(M)	8(M)
13	Stem nut	410	410	410	410	410
14	Locking nut	35	35	35	35	35
15	Nameplate	AL	AL	AL	AL	AL
16	Hand wheel	A197	A197	A197	A197	A197
17	Lubricating gasket	410	410	410	410	410
18	Packing	Graphite	Graphite	Graphite	Graphite	Graphite
28	Bellow	F321	F321	F321	F316	F321
29	Coupling pipe	A105	A105	A105	F304(L)	F316(L)