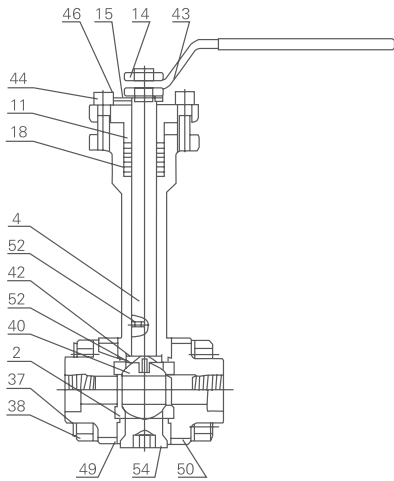


Forged Steel cryogenic Valves

Cryogenic ball valves Cryogenic gate valves



Application specifications

- 1、 Design and manufacture conform to BS5352 B16.34
- 2、 Connection ends conform to
 - 1)Socket welded ends conform to ANSI B16.11;JB/T1751
 - 2)Screw ends conform to ANSI B1.20.1;JB/T7306
 - 3)Butt-welded ends conform to ANSI B16.25;JB/T12224
 - 4)Flanged ends conform to ANSI B16.5;JB79
- 3、 Test and inspection conform to: API 598; GB/T13927; JB/T9092
- 4、 Structure features:Bolted bonnet;three-piece.
- 5、 Materials conform to ANSI/ASTM
- 6、 Main materials:A105; LF2; 304(L); 316(L); F347; F321; F51; Monel; 20 Alloy.

Carbon steel temperature-pressure rate

CL150-285P.S.I@100° F	CL300-740P.S.I@100° F	CL600-1480P.S.I@100° F
CL800-1975P.S.I@100° F	CL1500-3705P.S.I@100° F	

Main part materials list

NO	Part name	LF2/304	F3/304	F304(L)/304(L)	F316(L)/316(L)	F51/F51
1	Body	LF2	LF3	F304(L)	F316(L)	F51
2	Seat	PTFE	PTFE	RPTFE	RPTFE	RPTFE
4	Stem	304	304	304(L)	316(L)	F51
5	Gasket	PTFE	PTFE	PTFE	PTFE	PTFE
11	Gland flange	LF2	LF3	304	304	304
14	Flat nut	8	8	8(M)	8(M)	8M
15	Nameplate	AL	AL	AL	AL	AL
18	Packing	PTFE & flexible graphite	PTFE & flexible graphite	PTFE & flexible graphite	PTFE & flexible graphite	PTFE & flexible graphite
37	Screwed Stud	L7	L7	B8	B8M	B8M
38	Nut	8	8	8(M)	8(M)	8M
40	Ball	F304	F304	F304(L)	F316(L)	F51
42	Back seat gasket	PTFE	PTFE	PTFE	PTFE	PTFE
43	Wrench	ANSI 1025	ANSI 1025	ANSI 1025	ANSI 1025	ANSI 1025
44	Socket head cap bolt	B8	B8	B8	B8M	B8M
46	Locating piece	ANSI 1025	ANSI 1025	ANSI 1025	ANSI 1025	ANSI 1025
49	Left bonnet	LF2	LF3	F304(L)	F316(L)	F51
50	Right bonnet	LF2	LF3	F304(L)	F316(L)	F51
52	Elastic washer	304	304	304	316	316
54	Screwed plug	LF2	LF3	304(L)	316(L)	F51